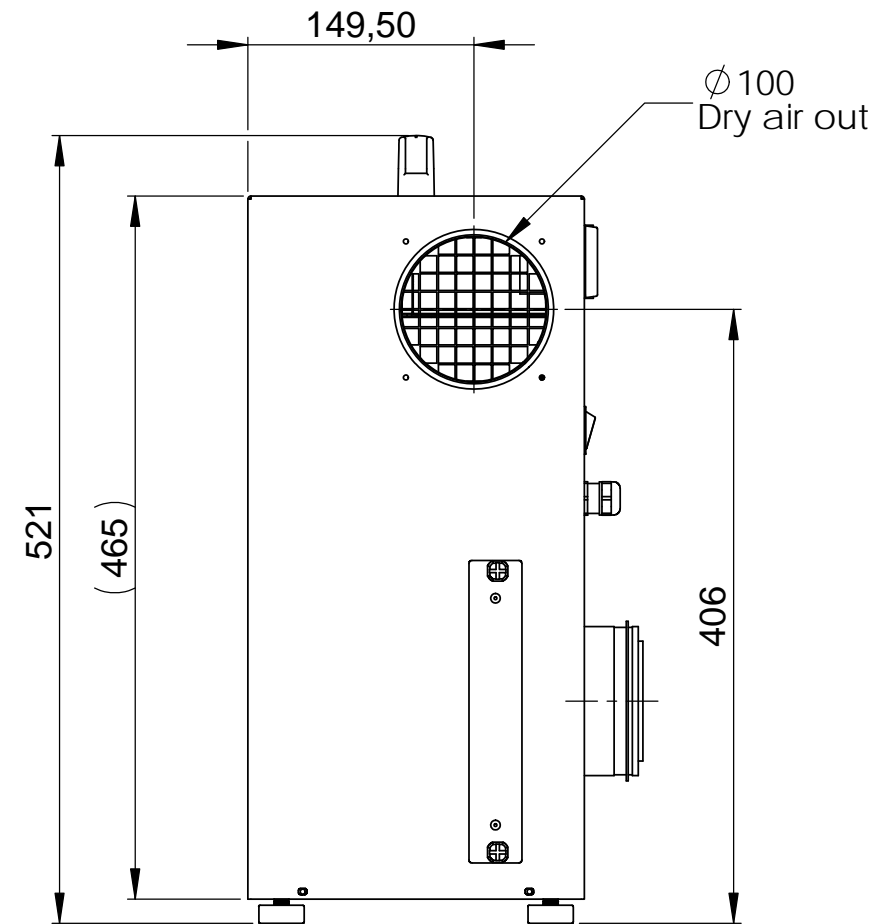
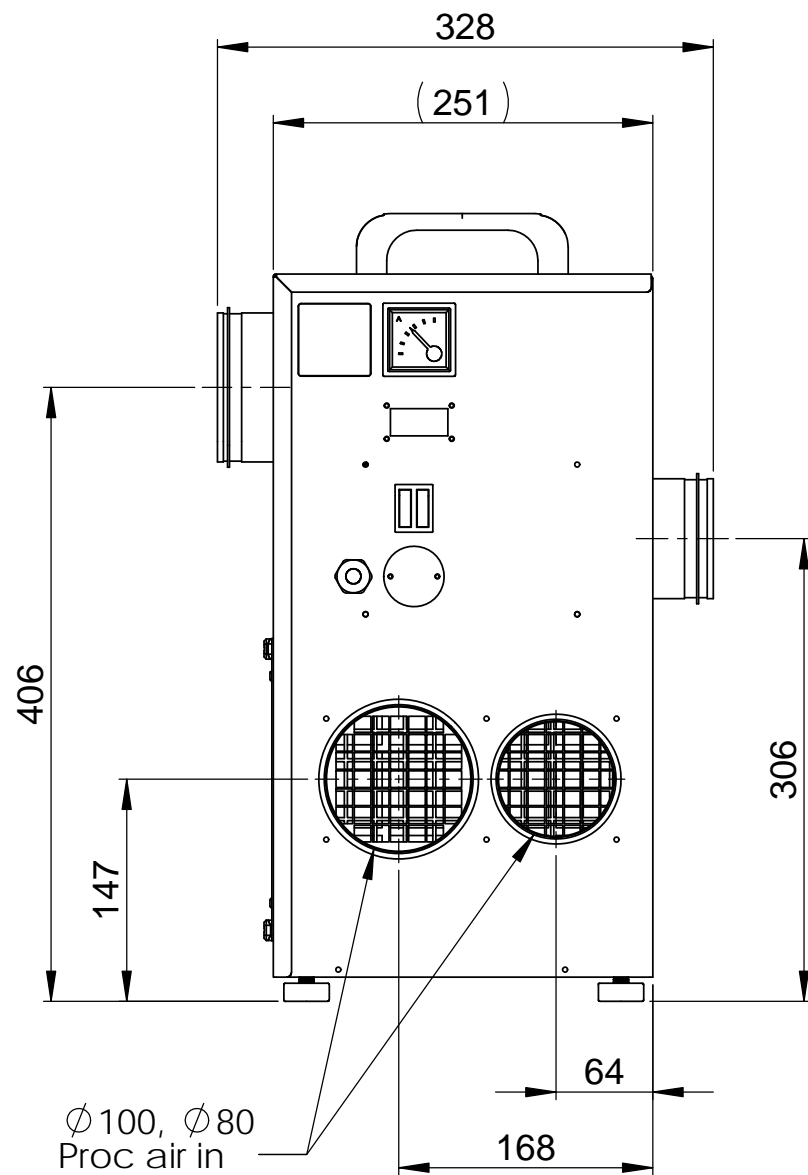
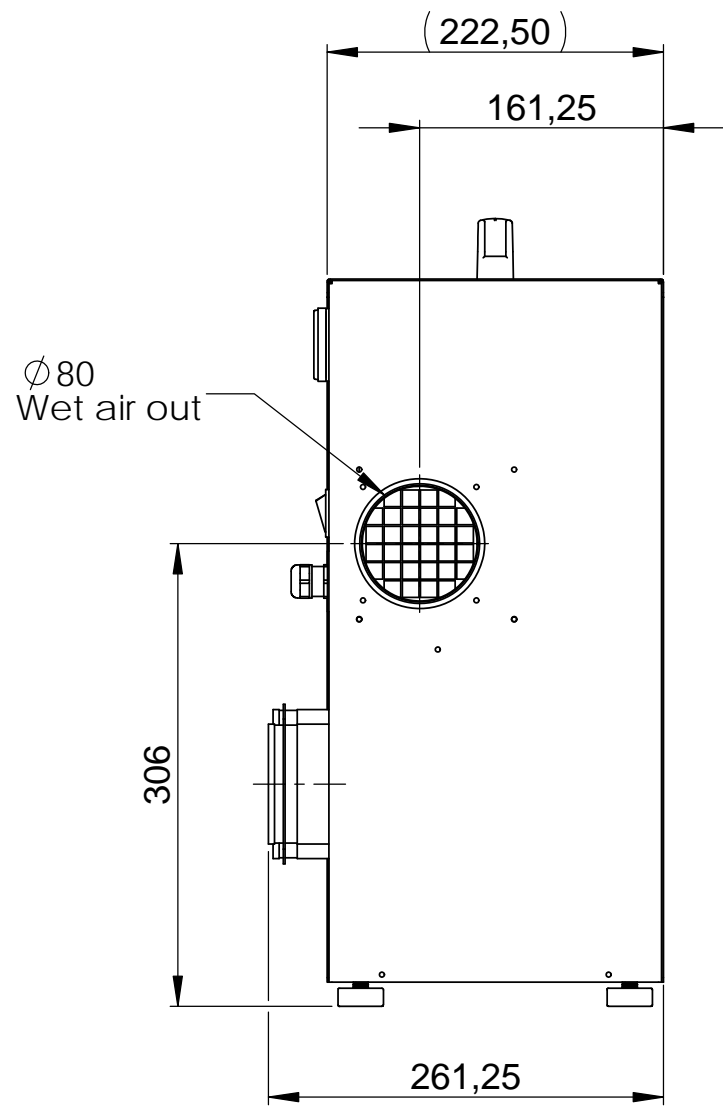


REVISIONS			
REV.	DESCRIPTION	DATE	APPROVED
01	Updated unit weight	2012-12-07	SO



This document and its contents are the exclusive property of DST Seibu Giken and must not be copied, reproduced, transmitted or communicated to any other party or used for purposes not expressly permitted by us.



Seibu Giken DST AB  
 +46 8 445 77 20  
 www.dst-sg.com

Designed by	Stefan O	Date	2012-12-03
Drawn by	Stefan O	Date	2012-12-03
Approved by	-	Date	-
Material		Thickness	t=
Status	Construction	Tolerance	ISO 2768-1m
Scale	1:5	Format	A3
Sheet/Sheet	1/4	Rev Part	01
Weight (Kg)	12		

Title/Description		
<b>Dimensionsritning</b> Dimension drawing		
<b>DR-010B</b>		
Drawing no	<b>DST04472</b>	Rev
		<b>01</b>

01