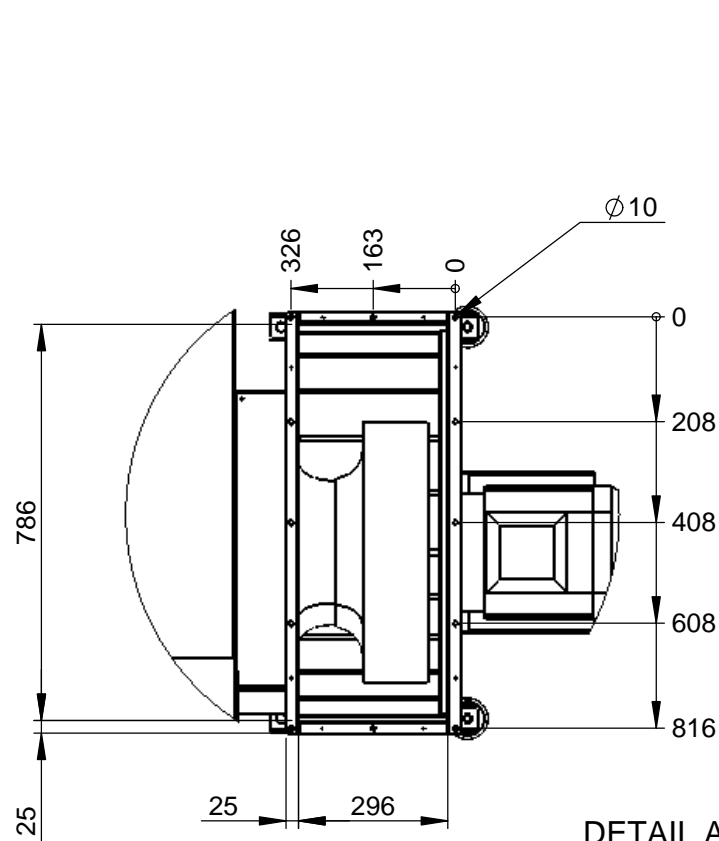
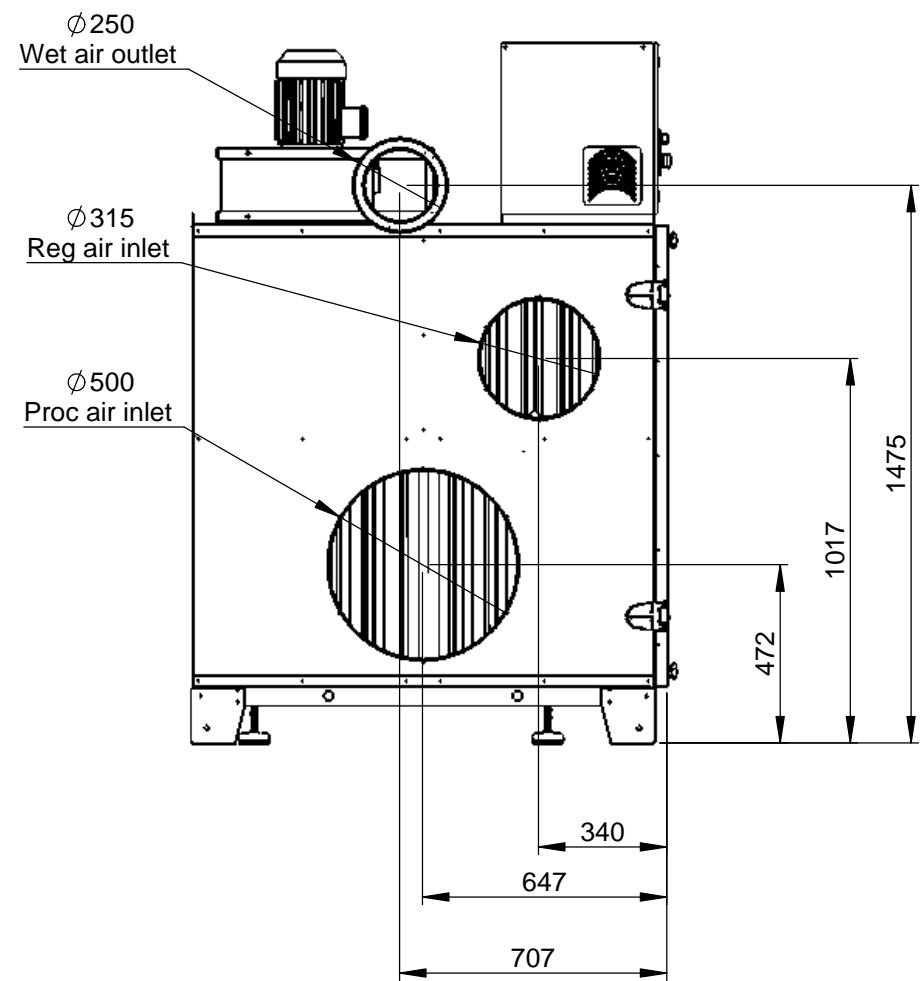
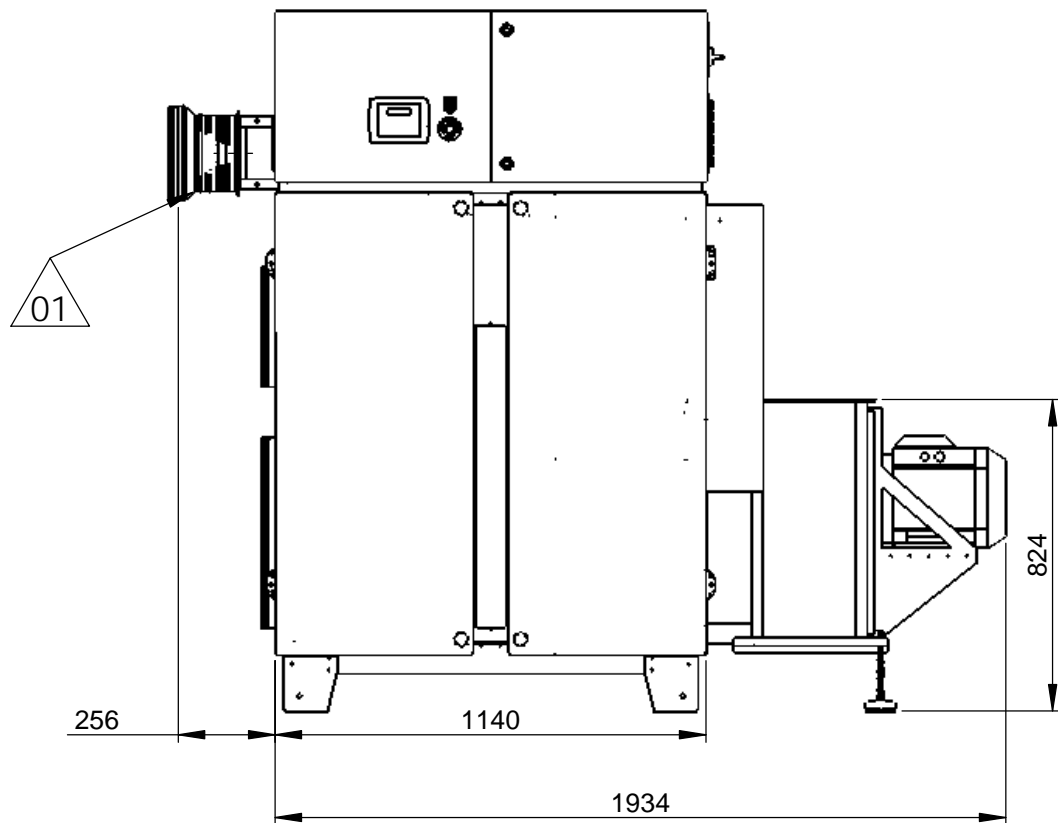
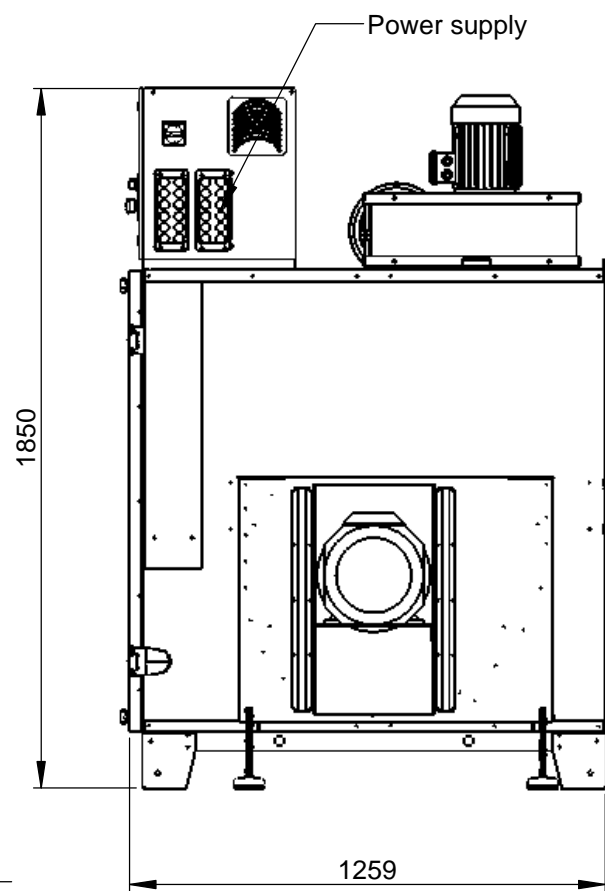
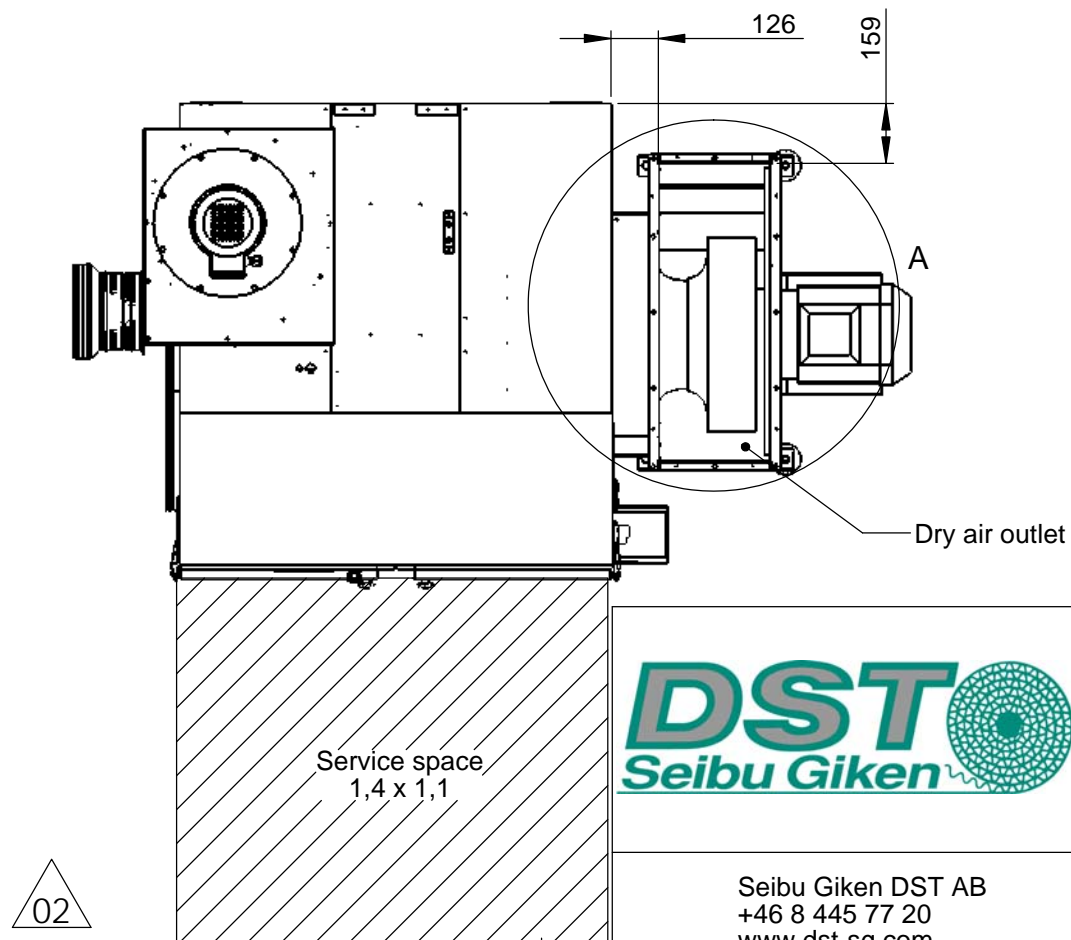


REVISIONS			
REV.	DESCRIPTION	DATE	APPROVED
01	Drawing updated to include reduction on wet air outlet.	2015-01-13	EL
02	Detail view A revised.	2015-02-25	EL
03	Process air fan position corrected.	2015-09-10	EL



DETAIL A
SCALE 1 : 15



This document and its contents are the exclusive property of DST Seibu Giken and must not be copied, reproduced, transmitted or communicated to any other party or used for purposes not expressly permitted by us.



Seibu Giken DST AB
+46 8 445 77 20
www.dst-sg.com

Designed by Catarina S	Date 2012-11-01
Drawn by Catarina S	Date 2013-01-11
Approved by -	Date -
Material	Thickness t=
Status Construction	Tolerance ISO 2768-1m
Scale 1:20	Format A3
Sheet/Sheet 1/1	Rev Part 03+
Weight (Kg) 390.000	

Title/Description
Installationsritning RZ-101 ICE
Installation drawing RZ-101 ICE

Drawing no
DST04422

Rev
03+