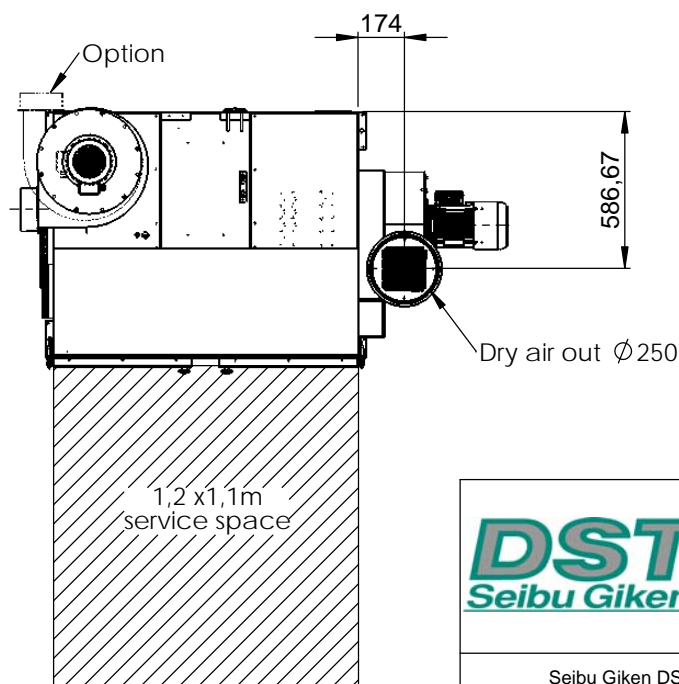


SECTION A-A



This document and its contents are the exclusive property of DST Seibu Giken and must not be copied, reproduced, transmitted or communicated to any other party or used for purposes not expressly permitted by us.

		Designed by	Catarina S	Date	2012-10-09	Title/Description	 Installationsritning RZ-081
		Drawn by	Catarina S	Date	2012-11-28		
Seibu Giken DST AB +46 8 445 77 20 www.dst-sg.com		Approved by	-	Date	-	Installation drawing RZ-081	
		Material	-	Thickness	t=	Drawing no	DST04371
		Status	Construction	Tolerance	ISO 2768-1m	Rev	00+
		Scale	1:20	Format	A3	Sheets/Sheet	1/1
		Weight (Kg)	294				