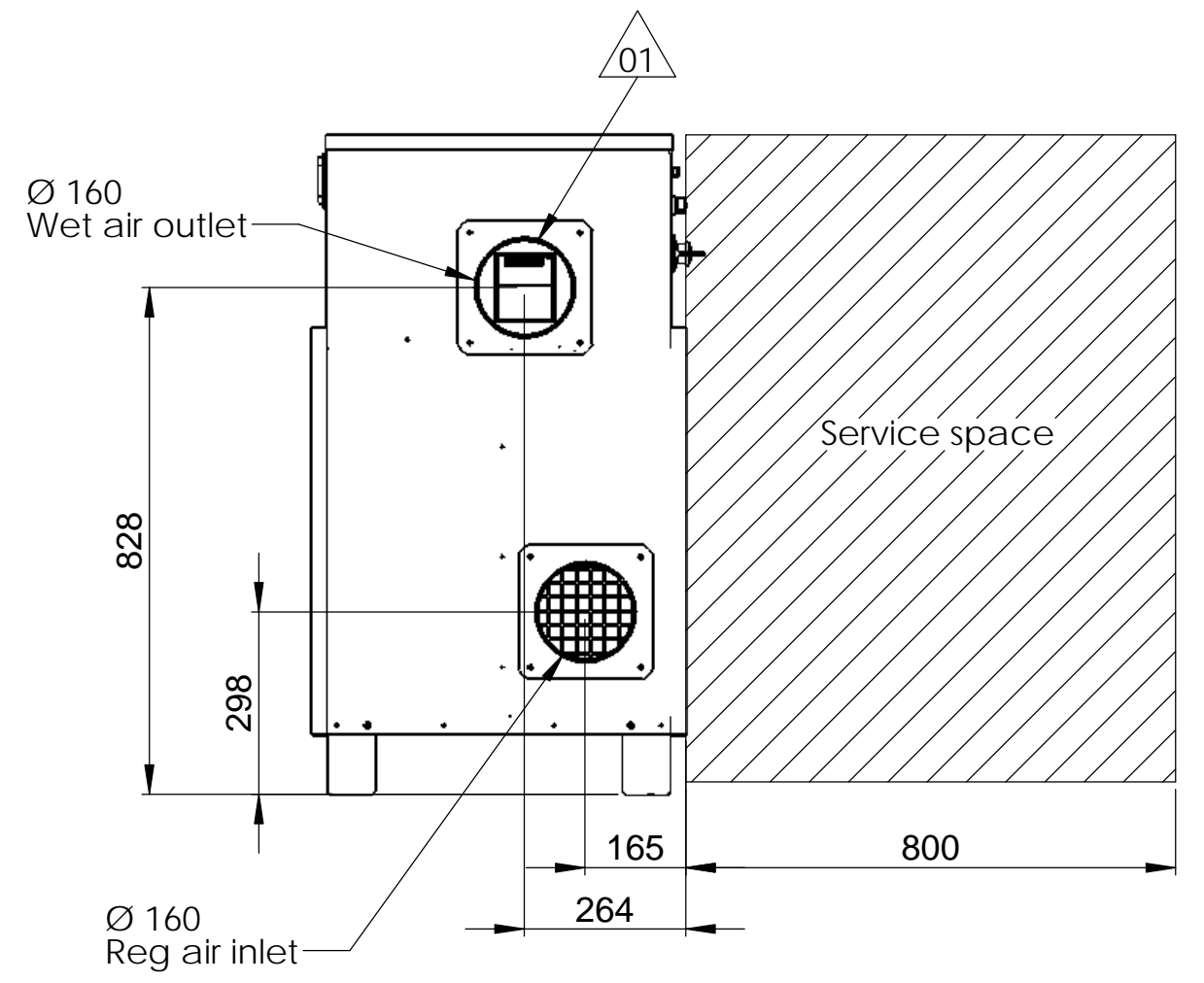


REVISIONS			
REV.	DESCRIPTION	DATE	APPROVED
01	Wet air outlet moved	2013-01-16	EL
02	Service spaces added, Weight updated, dimension decimals removed and Title changed from dim drw to installation drw.	2015-07-10	EL/BK



This document and its contents are the exclusive property of DST Seibu Giken and must not be copied, reproduced, transmitted or communicated to any other party or used for purposes not expressly permitted by us.

Designed by Erik L		Date 2011-09-09		Title/Description Installationsritning R-061/51R Installation drawing R-61R/R-51R		
Drawn by Erik L		Date 2011-09-09				
Approved by -		Date				
Material		Thickness t=		Drawing no DST03284		
Status Construction		Tolerance ISO 2768-1m			Rev 02	
Seibu Giken DST AB +46 8 445 77 20 www.dst-sg.com		Scale 1:12	Format A3	Sheet/Sheet 1/1	Rev Part 02	Weight (Kg) 110.000