





TECHNICAL DATA				
	Dry air flow m ³ /h	Dry air condition* g/kg	Dry air available pressure Pa(s)	Dehumidification capacity kg/h*
CZ-82	3200	1,1	>200	57
CZ-102	5200	1,1	>200	92
CZ-102L	7200	1,3	>200	125
CZ-104	8000	1,1	>200	141

* At process air inlet 35 °C 15,8 g/kg and cooler 1 as a precooler with water in/out 6/12 °C.

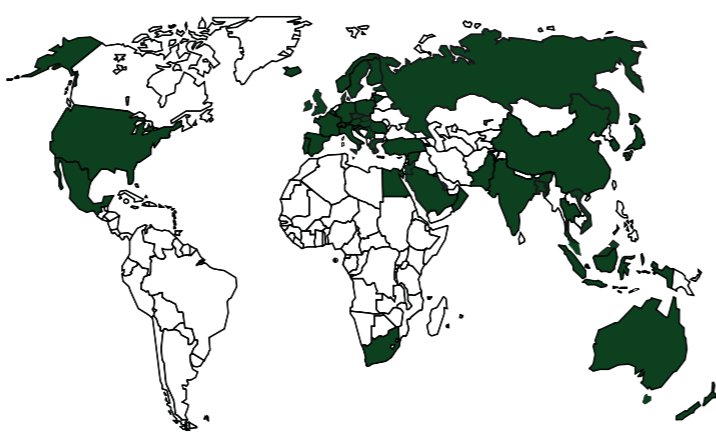
COILS			
CZ-82			
	Heater*	Cooler 1**	Cooler 2***
Capacity (kW)	34	52	27
Liquid flow (l/s)	0,5	2,1	1,1
Liquid pressure drop (kPa)	12	42	14
CZ-102			
	Heater*	Cooler 1**	Cooler 2***
Capacity (kW)	41	83	45
Liquid flow (l/s)	0,48	3,3	1,8
Liquid pressure drop (kPa)	8	22	19
CZ-102L			
	Heater*	Cooler 1**	Cooler 2***
Capacity (kW)	79	115	57
Liquid flow (l/s)	1	4,6	2,3
Liquid pressure drop (kPa)	5	26	16
CZ-104			
	Heater*	Cooler 1**	Cooler 2***
Capacity (kW)	88	112	81
Liquid flow(l/s)	1	4,4	3,2
Liquid pressure drop (kPa)	5	13	25

* 80/60 °C ** 6/12 °C, 0 % freezing additive. Cooler 1 as precooler.
 *** 6/12 °C, 0 % freezing additive. Cooler 2 as postcooler.
 Cooler 2 can also be placed as a precooler.

ROTOR MODELS*	
	D-Max – rotor for standard applications
	SSCR-H – bactericidal and hygienic
	SSCR-CI – 100% silicon free air
	SZCR – zeolite rotor for low dew points

* DST offers four unique rotors from Seibu Giken Co Ltd. D-Max rotors are fitted as standard. Other rotors available as an option, see separate rotor brochure.

Seibu Giken DST AB has representatives in more than 40 countries world-wide



Seibu Giken DST AB
 Avestagatan 33 | SE-163 53 Spånga, Sweden
 Telefon +46 8 445 77 20 | Fax +46 8 445 77 39
 www.dst-sg.com | info@dst-sg.com

Seibu Giken DST
 is certified according
 to ISO 9001



CZ FLEX DEHUMIDIFIERS

SEIBU GIKEN DST



Dehumidifying capacity
 at 20 °C/60 % RH
57-141 kg/h
 Dry air flow
3200-8000 m³/h



CZ Flex, choose components according to your project!

Simpler planning with one supplier

CZ Flex consists of a modular system integrated with an CZ standard dehumidifier. Choose components such as precooling and postcooling, or integral temperature and moisture control. DST supplies a complete unit, which results in simpler planning, faster commissioning and unequivocal functional responsibility compared with systems built up via several different suppliers. All control functions are tested at the factory prior to delivery.

With CZ Flex, the combination of precooling and sorption dehumidification is optimal for every project. For applications with stringent hygiene requirements, we recommend a solution using dry cooling. The CZ units are available with the option of hot-water coil for regeneration air pre-heating

Module structure

The modules are made up using an aluminium framework. The panels are made from aluminium zinc [stainless steel is available as an option] with 50 mm double wall insulation, which also results in high levels of noise attenuation. All functional elements (see the example below) can be placed either before or after the dehumidifier.

Filter

CZ Flex comes with integral bag filters, class F7, with centre latches fitted as standard or F9 as an optional extra.

Heating and cooling coils

Cooling coils are available with various outputs. Inspection hatches are placed before and after the coils. The fins of the cooling coil are treated with hydro fin, which prevents water carry-over and reduces the pressure drop.

Fans

A directly driven process fan with rear-facing blades requires minimal servicing and ensures low energy consumption. The chamber fan can be provided with a frequency converter (optional). The fan is mounted on runners. At low dewpoints, the fan can be placed before the dehumidifier as a compressive fan. The impeller is powder painted.

Controls

Temperature and moisture control are available as optional extras, and are programmed and tested at the factory for faster startup in site. Sensors and controllers are supplied with cables for simple connection to the central electric unit.

Washable, highly efficient rotor

All DST dehumidifiers come with the D-Max rotor fitted as standard. The D-Max has a high dehumidification capacity and long service life, and it is washable and non-flammable. Another three rotors with unique properties are available as optional extras. (See the tab on the right and the DST rotor folder.)

Dehumidifier CZ Flex



APPLICATIONS

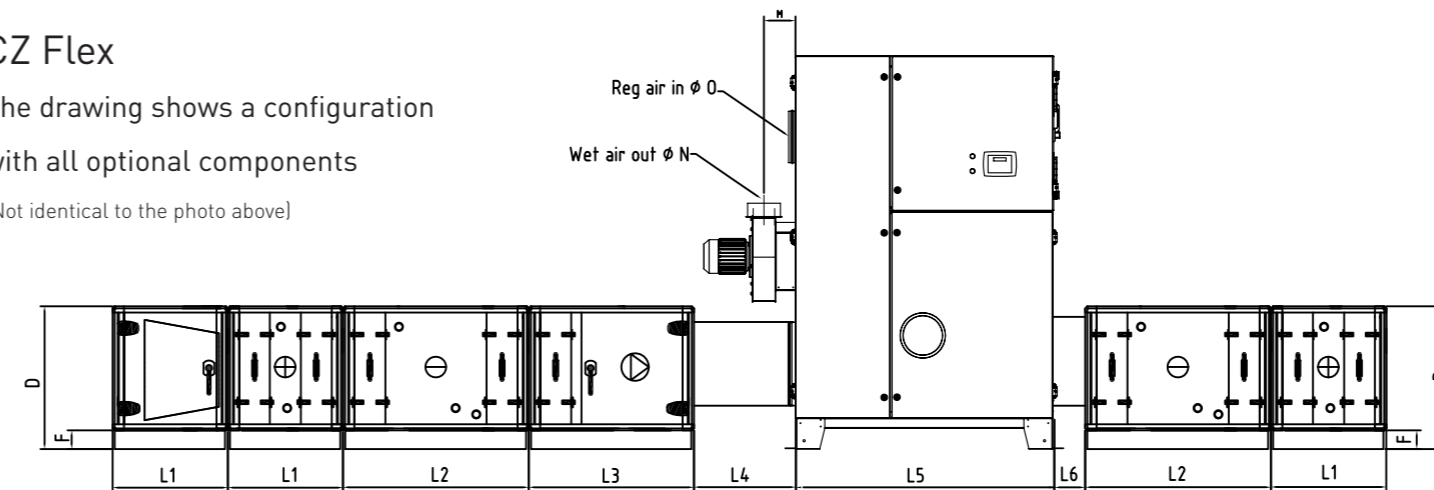
CZ Flex has been developed for applications requiring complete solutions for dehumidification, with moisture and temperature control. These units can also be fitted with special rotors for environments with special requirements; during pharmaceutical manufacturing, in the plastics industry, the manufacture of food and confectionery, the automotive industry, and others.



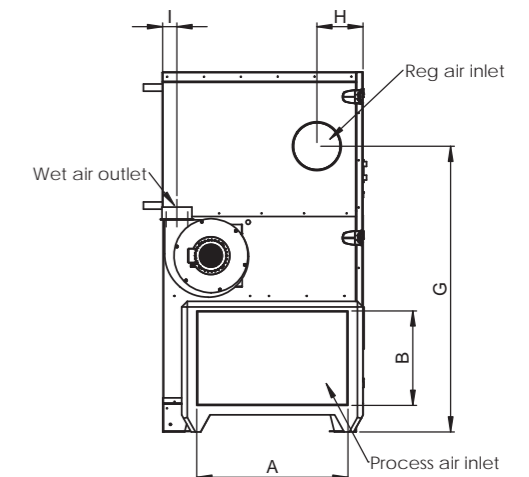
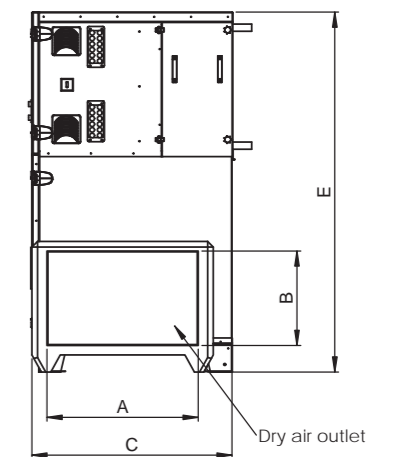
CZ Flex

The drawing shows a configuration with all optional components

(Not identical to the photo above)

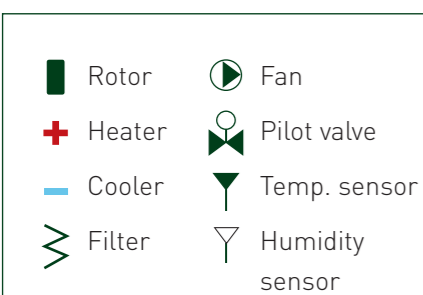
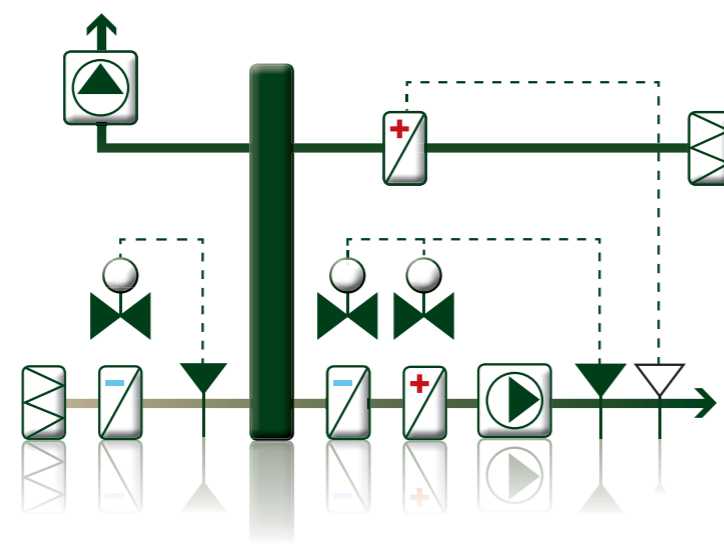


CZ-Flex



Example of configuration with options

DST provides pre-, and post treatment coils complete with temperature control, all from a single supplier. Contact your nearest DST representative for further information.



DIMENSIONS (MM)										
	A	B	C	D	E	F	G	H	I	J
CZ-82	800	500	960	691	1900	90	1510	245	75	160
CZ-102	1100	600	1255	813	2100	90	1710	295	110	250
CZ-102L	1100	700	1255	990	2100	90	1710	295	110	315
CZ-104	1100	900	1255	1200	2100	90	1710	295	480	315
	L1	L2	L3	L4	L5	L6	M	N	O	
CZ-82	558	900	800	600	1240	150	150	160	250	
CZ-102	558	900	900	700	1240	150	200	315	400	
CZ-102L	558	900	1000	700	1240	150	200	315	400	
CZ-104	558	900	1000	800	1440	150	220	315	400	