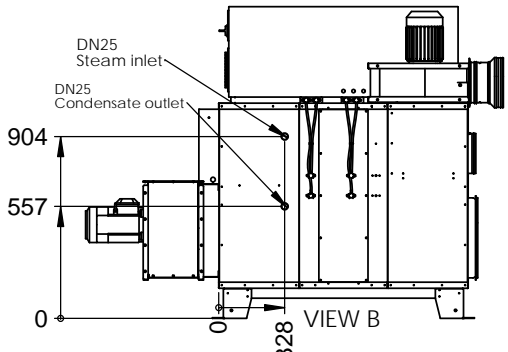
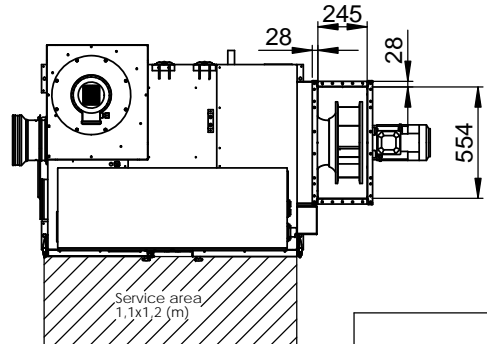
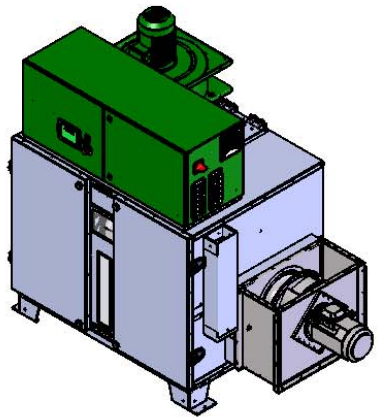
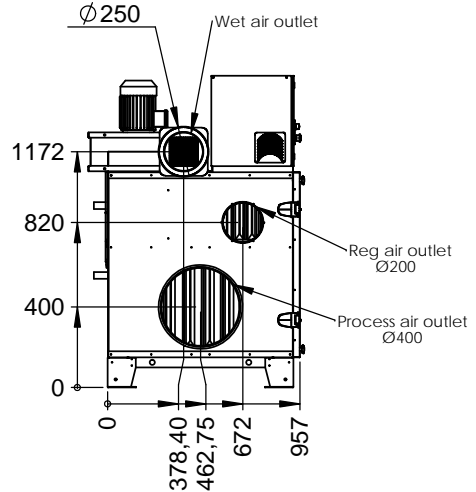
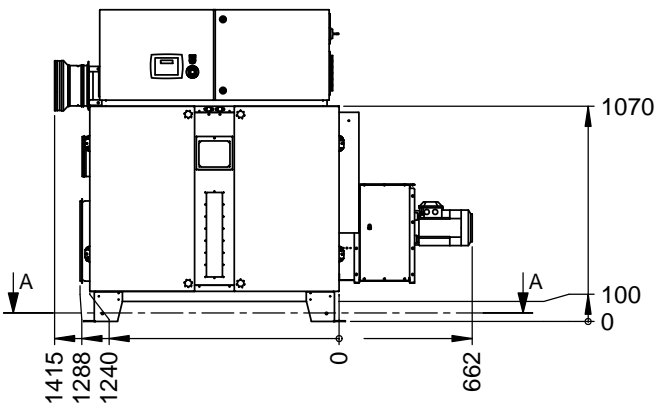
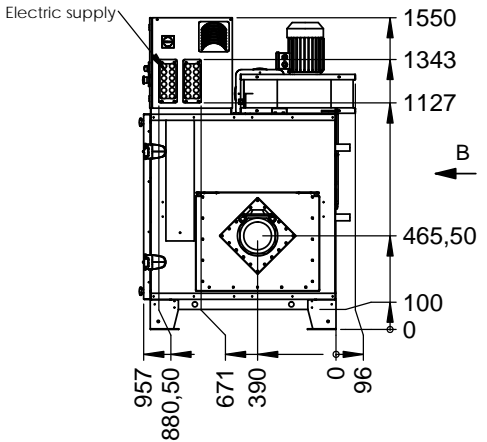
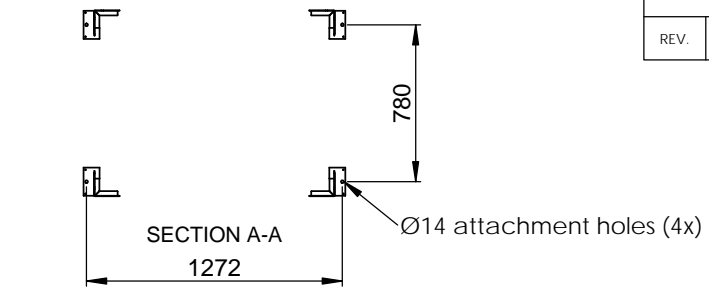


REVISIONS			
REV.	DESCRIPTION	DATE	APPROVED



This document and its contents are the exclusive property of DST Seibu Giken and must not be copied, reproduced, transmitted or communicated in any form or by any means, without the express permission of DST Seibu Giken.

	Designed by Amar D	Date 2016-01-28	Title/Description Installationsritning RLZ-82SP steam	
	Drawn by Amar D	Date 2016-01-28		
	Approved by	Date		
	Material	Thickness t=		
Status Construction	Tolerance ISO 2768-1m		Drawing no DST07108	Rev 00+
Scale 1:25	Format A3	Sheet/Sheet 1/1	Rev Part 00+	Weight (kg) 506.010
Seibu Giken DST AB +46 8 445 77 20 www.dst-sg.com				