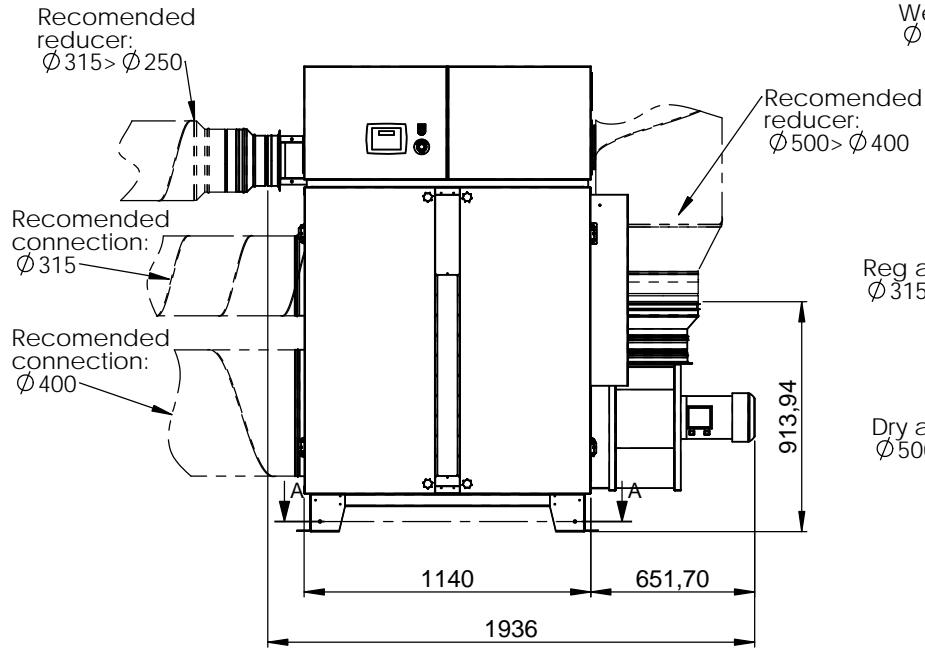


Condensate connection thread DN25

Steam connection thread DN25

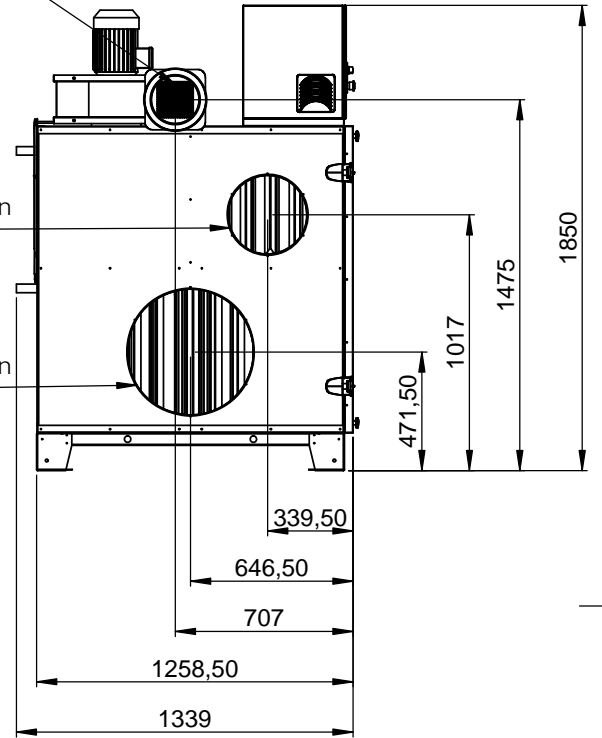


Wet air out Ø 200

Reg air in Ø 315

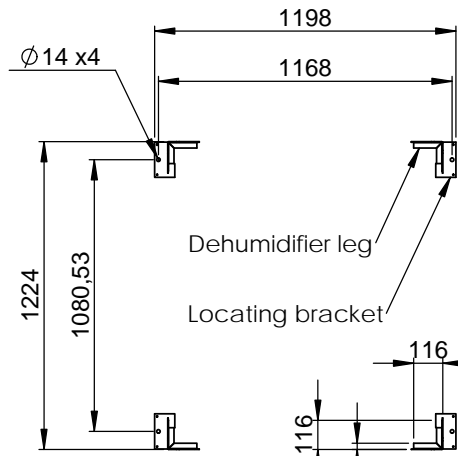
Dry air in Ø 500

Dry air out Ø 400

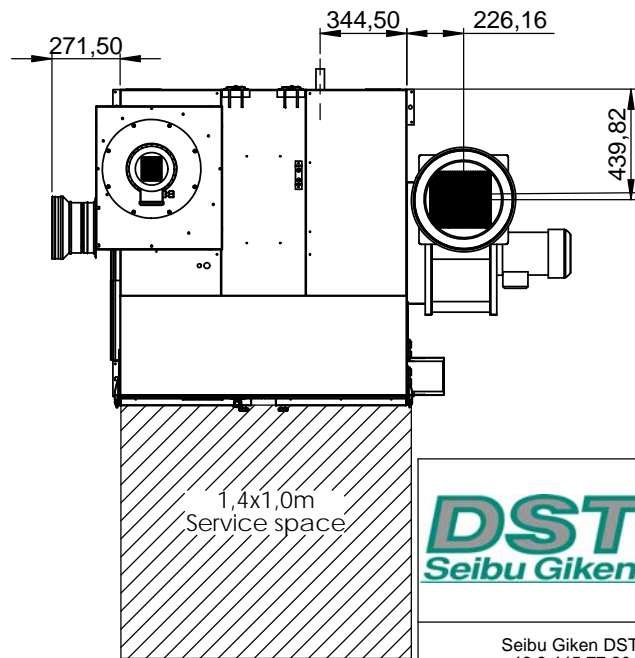


Package dimension
Length: 1936 mm
Height: 1850 mm
Width: 1939 mm

Weight: 380kg



SECTION A-A



1,4x1,0m
Service space

This document and its contents are the exclusive property of DST Seibu Giken and must not be copied, reproduced, transmitted or communicated in any form or by any means without the express permission of us.



Seibu Giken DST AB
+46 8 445 77 20
www.dst-sg.com

Designed by	Catarina S	Date	2013-01-03
Drawn by	Catarina S	Date	2013-10-22
Approved by		Date	
Material		Thickness	t=
Status	Construction	Tolerance	ISO 2768-1m
Scale	1:20	Format	A3
Sheet/Sheet	1/1	Rev Part	00+ 0

Title/Description	
Installationsritning RZ-101S	
Installation drawing RZ-101S	
Drawing no	Rev
DST04554	00+